



DNH

HEAD OFFICE, NORWAY
DNH AS

Phone..... + 47 35 98 56 00
Fax..... + 47 35 98 56 10
E-mail..... dnh@dnh.no
Web-Site..... www.dnh.no

ENGLAND

DNH WW Ltd

Phone..... + 44 1908 275 000
Fax..... + 44 1908 275 100
E-mail..... dnh@dnh.co.uk

GERMANY

DNH GmbH

Phone... + 49 040 6569 30-0
Fax..... + 49 040 6569 30-30
E-mail..... dnh@dnh.de

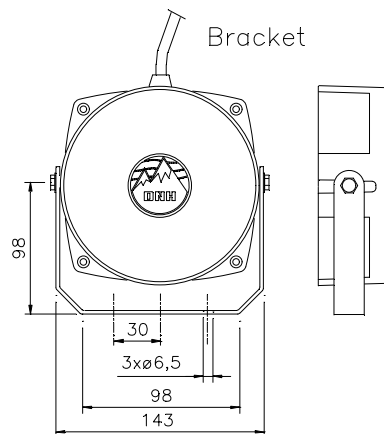
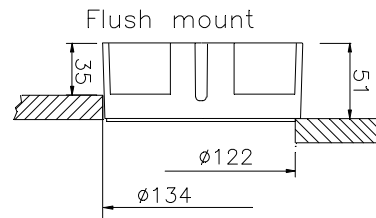
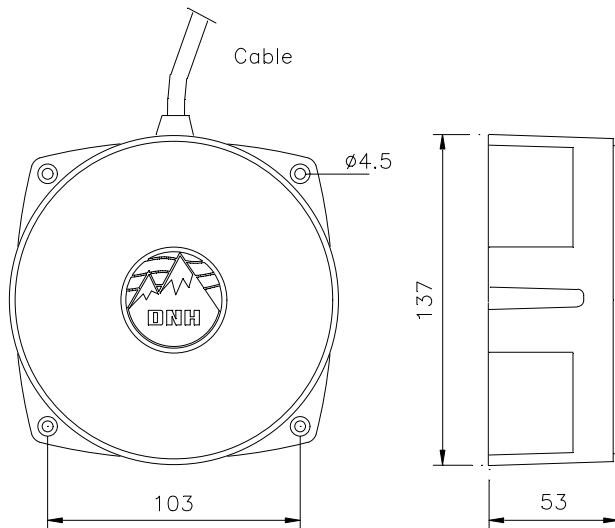
USA

DNH Speakers Inc

Phone..... + 1 484 494 5790
Fax..... + 1 484 494 5793
E-mail..... dnh@dnhspeakers.com

ISO 9001 CERTIFIED

CR-6(T)



100 V transformer Primary tapings	
Red : Yellow	6 W
Red : Green	3 W
Red : Blue	1,5 W

8Ω version	
Red : Blue	

Sound pressure levels at 1W/1m
SPL vs Freq



Specifications

Material / Color	PA / RAL 9010
Mounting	4 screws or bracket
Termination	Cable, 1 m
Weight w/transformer	2,2 kg
IP-rating	67
Max. / min. amb. temp	90°C / -20°C
Rated / max. power	6 W / 10 W
SPL 1W/1m	85 dB
SPL rated power	93 dB
Effective freq. range	280 – 20000 Hz
Dispersion (-6dB) 1kHz / 4kHz	170° / 150°
Options	Impedances, colors, labels

Installation, Operation and Maintenance Procedures

- Use four screws for mounting on wall, alternative flush mounting.
- When mounting with bracket, use the slit on each side to connect the bracket to the loudspeaker.
- CR-6 (T) is designed for clean room applications.
- Do not install this loudspeaker under water when operated with 100V line.
- For optimum performance, always use the correct voltage / power and operate within the frequency limits as stated.
- Do not open loudspeaker when energized.
- This loudspeaker is supplied with a two years warranty against defective workmanship.

DNH reserves the right to alter specifications without notice

